



AET60 Owner's Manual



AERATOR 60" Owner's Manual

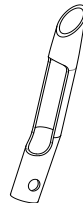
AET60

Beginning Serial #: 110215001

Replacement Parts

TINE REPLACEMENT

Replacement tip for aerating tines.



P/N 381588

Original Instructions

IMPORTANT- READ CAREFULLY BEFORE USE AND KEEP FOR FUTURE REFERENCE



AET60 Owner's Manual

CONTENTS

SPECIFICATIONS AND INTENDED USE	3
INSTRUCTION LABELS, PACKING CHECKLIST, & ASSEMBLY	4
OPERATION	5
MAINTENANCE AND TROUBLE SHOOTING	6
ILLUSTRATED PARTS & PARTS LIST	7-8



AET60 Owner's Manual

SPECIFICATIONS

AET60

Total Unit Weight:	440# (200 Kg)
Width	37"-48"-60"
Max. operating slope	15°

INTENDED USE

AERATOR

This machine is designed for aerating established lawns and large grass covered areas. The machine should not be used for any other purpose than that stated above.

⚠ DO NOT OPERATE IF EXCESSIVE VIBRATION OCCURS! If excessive vibration occurs, stop use of the unit immediately and check for damaged or worn reel, loose hardware, or lodged debris.

HANDLING & TRANSPORTING

Always use four or more people to lift this machine. Lift holding on either side of the machine, using the handles and the frame. Secure in place during transportation. See specifications for unit weight.



For safety use gloves when lifting.



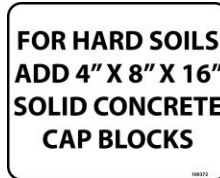
AET60 Owner's Manual

INSTRUCTION LABELS

The labels shown below were installed on your BILLY GOAT® Aerator. If any labels are damaged or missing, replace them before operating this equipment. Part numbers from the Illustrated Parts List are provided for convenience in ordering replacement labels. The correct position for each label may be determined by referring to the part numbers shown.



LABEL DANGER CLEAR
P/N 100311



LABEL HARD SOIL
P/N 100372



LABEL MAX LOAD
P/N 100356



LABEL HITCH MOUNT
P/N 100374

PACKING CHECKLIST

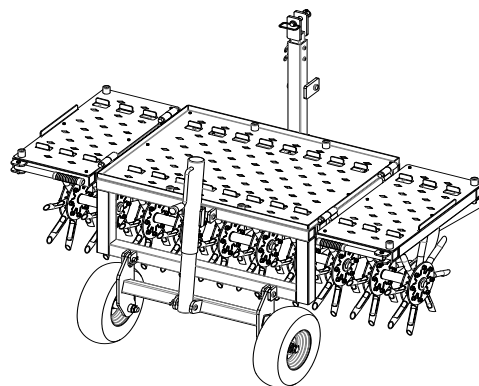
Your Billy Goat is shipped from the factory in one carton, completely assembled.



READ all safety instructions before assembling unit.
TAKE CAUTION when removing the unit from the box.

PARTS BAG & LITERATURE ASSY

Warranty card P/N- 400972, Owner's Manual P/N-100384, General Safety and Warranty Renovation Manual P/N-100295, General Safety and Warranty Manual P/N- 100295



ASSEMBLY

1. The machine is fully assembled; you will need to attach to a vehicle in the desired configuration (see operation section for details).



AET60 Owner's Manual

OPERATION

NOTE: Items in () can be referenced in the Parts Illustration and Parts List on pages 7-8.

OPERATING INSTRUCTIONS

The AET60 is a combination of a tow-behind aerator and a 3-point aerator with two wings for adjustable aeration widths. When used behind a tractor in the 3-point application, there are pins on each tine assembly that can be removed to allow tines to swivel, enabling the tractor to turn while still aerating with the tines in the ground. When being towed, the tine assemblies must be locked in place for proper tracking.

AERATING OPERATION

NOTE: NEVER PARK THIS UNIT ON A SLOPE OF ANY KIND. Always keep tines in the up position when parking the unit.

WHEN USED AS A TOW-BEHIND

When using this machine as a towable aerator, the tow link should be in the down position and attached to the frame of the aerator using the two clevis pins (item 19). The tow behind is telescoping so that it can be extended to accommodate various vehicles. Make sure all five lock pins (item 21) are in place on the axle assembly to prevent the assembly from swiveling. When operating, the wings can either be up or down depending on the width of aeration desired. In normal conditions, there will be adequate weight for proper penetration when the wings are up; when the wings are down, additional weight may be required.

WHEN USED IN A 3 POINT APPLICATION

When used with a tractor and a 3-point hook up, the inner and outer tow link should slide together and be in the upright position holding it to the frame with the two clevis pins (item 19). The two tabs on the outer tow link are for the center link on the 3-point. Remove the five lock pins (item 21) from the tine axle to allow the assembly to swivel.

TINES RAISING/LOWERING

The tines are raised or lowered into the ground by operating the crank on the cylinder to raise or lower the tines to the desired depth. Tine penetration is very dependent on surface preparation. READ the entire operation section before aerating.

SET THE TINE DEPTH: With the aerator in the work area, lower the tines into the ground by rotating the crank at the rear.

TRANSPORT: Be sure to raise tines out of the ground before transporting away from the work area.

CASTER RAISING/LOWERING

The caster can be raised or lowered by removing the pin and rotating the caster then reinserting the pin to lock it into position. DO NOT transport with the caster in the down position so that it comes into contact with the ground. DO NOT unhitch the unit on uneven terrain with the caster down as the unit may roll. To prevent unwanted roll, chock the wheels.

*****TIPS*****

MOW

Mow the lawn to its normal cut height.

WATER

For the best performance and maximum tine penetration the lawn should be thoroughly watered the day before aeration.

INSPECT

Check the lawn before beginning work. Remove all rocks, wire, string, or other objects that can present a hazard during work prior to starting.

IDENTIFY

Mark all fixed objects to be avoided during work, such as sprinkler heads, water valves, buried cables, or clothes line anchors, etc.

SLOPES

Do not operate the aerator on steep slopes (exceeding 15°). Use extreme caution when operating on any sloped surface. For lesser sloped areas operate the unit, traversing up and down at a 45 degree angle to the slope rather than straight across. Extended operation on steep slopes can cause engine damage.



AET60 Owner's Manual

MAINTENANCE

NOTE: Items in () can be referenced in the Parts Illustration and Parts List on pages 7-8.

PERIODIC MAINTENANCE

Periodic maintenance should be performed at the following intervals:

Maintenance Operation	Every Use (daily)	Every 10 hrs	Every 50 Hrs
Inspect for loose, worn or damaged parts		•	
Thoroughly clean all debris from unit and tines	•		
Grease wheel bearings			•

ENGINE MUST BE LEVEL WHEN CHECKING OR FILLING OIL

INDIVIDUAL TINE REPLACEMENT

1. Remove the bolt, washer and nut (items 46, 47, and 48) holding the bracket (item 10) that retains the tine (item 33)
2. Replace the tine and then secure it in place with the bracket and hardware previously removed. *NOTE:* Tines are a normal wear item and should be inspected regularly for signs of wear or damage.

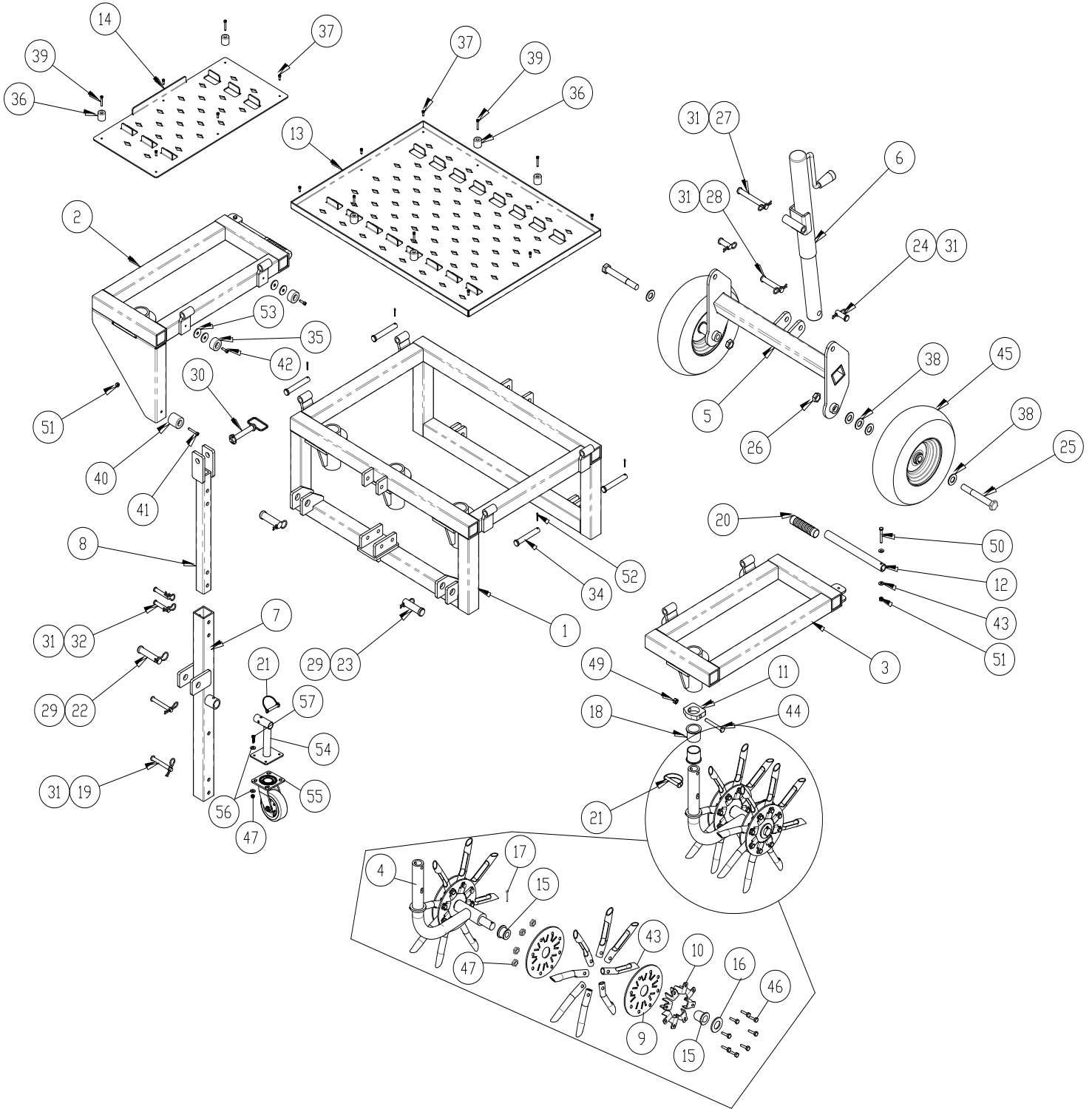
TROUBLESHOOTING

Problem	Possible Cause	Solution
Abnormal vibration	Damaged or missing tines. Loose bolts.	Stop work immediately. Replace any damaged or missing tines. Tighten all loose bolts and nuts.



AET60 Owner's Manual

AET60 PARTS DRAWING





AET60 Owner's Manual

AET60 PARTS LIST

ITEM #	PART #	DESCRIPTION	AET60 QTY
1	381556	BASE FRAME WELDMENT	1
2	381157	LEFT WING FRAME WELDMENT	1
3	381158	RIGHT WING FRAME WELDMENT	5
4	381559	TINE AXLE WELDMENT	1
5	381560	WHEEL ASSEMBLY	1
6	381561	JACK ASSEMBLY	1
7	381562	OUTER TOW LINK	1
8	381563	INNER TOW LINK	1
9	381564	TINE HUB PLATE	20
10	381565	TINE HUB C-CLIP	80
11	381566	ARM SWIVEL STOP	5
12	381567	WING HANDLE	2
13	381568	BASE LOAD PAN	1
14	381569	WING LOAD PAN	2
15	381570	TINE SHOULDER BUSHING	20
16	8172017	WASHER 1/2" FLAT	10
17	381572	COTTER PIN 1/8" X 1.5"	10
18	381573	TINE ARM SHOULDER BUSHING	10
19	381574	CLEVIS PIN 7/16" X 3.5"	2
20	500267	GRIP HANDLE 1" X 5.5"	2
21	381576	LOCK PIN 3/8" X 2.5"	6
22	381577	CLEVIS PIN 3/4" X 3.5"	1
23	381578	CLEVIS PIN 7/8" X 3"	2
24	381579	CLEVIS PIN 5/8" X 1.75"	2
25	8041175	SCREWCAP 3/4"-10 X 5 1/2" HCS ZP	2
26	381581	NUT JAM 3/4"-10	2
27	381582	CLEVIS PIN 5/8" X 5"	1
28	381583	CLEVIS PIN 5/8" X 3.5"	1
29	381584	COTTER HAIR PIN 1/8" FOR 3/4 TO 7/8"	3
30	381585	HITCH PIN 5/8" X 4" W/LYNCH PIN	3
31	381586	COTTER HAIR PIN 1/8" FOR 7/16 TO 5/8	8
32	381587	CLEVIS PIN 7/16" X 2.5"	2
33	381588	TINE 3/4" CLOSED SPOON 14 GA.	80
34	381589	CLEVIS PIN 5/8" X 4"	4
35	381590	RUBBER BUMPER 1.5" X .75" THK	4
36	381591	RUBBER BUMPER 1.0" X 1.0" THK	8
37	8050057	SHCS 10-32 X 1/2"	14
38	8171008	WASHER 3/4" SAE	8
39	381158	SHCS 10-32 X 1.25"	8
40	381595	RUBBER BUMPER 1.5" X 1.5" THK	2
41	381596	SHCS 1/4"-20 X 1.5"	2
42	381597	SHCS 1/4"-20 X .75"	4
43	381598	BELLEVILLE WASHER .25 X .69" THK	4
44	8041058	SCREWCAP 3/8" -16 X 3" HCS ZP	5
45	381440	WHEEL 13"	2
46	8041031	BOLT HEX HEAD 5/16"-18 X 1 3/4	80
47	8160002	NUTLOCK 5/16"-18	84
49	8160003	NUTLOCK 3/8"-16 HEX ZP	5
50	8041010	SCREWCAP 1/4"-20 X 2" HCS ZP	2
51	8160001	NUTLOCK 1/4"-20 HEX ZP	4
52	8197031	COTTER PIN 1/8" X 1"	4
53	8172020	WASHER FENDER 5/16"	8
54	380134	TRANSPORT WHEEL STAND	1
55	610101	CASTER 5" DIA X 2"	1
56	8171003	WASHER 5/16" FLAT	8
57	8041028	SCREWCAP 5/16"-18 X 1" GR 5 HCS ZP	4